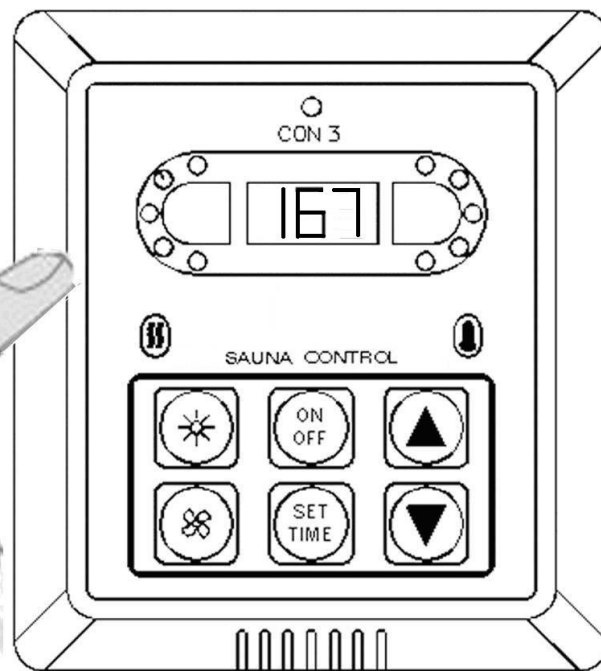
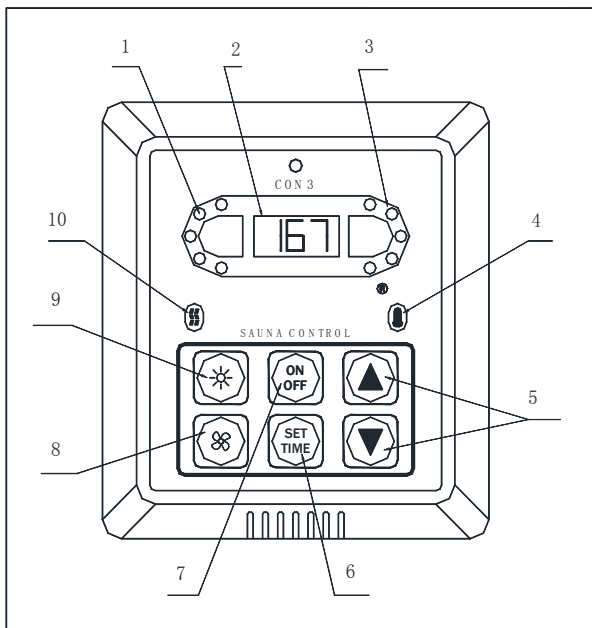


SAUNA CONTROL CON3



INSTRUCTIONS MANUAL

SAUNA CONTROL CON3



- 1. Time indicator
- 2. Temperature display (or display waiting time when in waiting mode)
- 3. Time indicator
- 4. Heat preserving indicator
- 5. Temperature and Time adjust button
- 6. Time setting button
- 7. ON/OFF
- 8. Fan switch
- 9. Lamp switch
- 10. Heating indicator

Figure 1 Sauna control panel CON3

ON/OFF

Press “ON/OFF” button to turn on the control panel, system enters waiting mode if applicable or heat-up mode depending on user's setting.

Press “ON/OFF” in waiting mode, system stops waiting and enters heat-up mode immediately; Press “ON/OFF” in heat-up mode or heating-up time is up, system switches off.

CHANGE TEMPERATURE UNIT

Press both “▲” and “▼” button for more than 3 seconds to switch between temperature units, “ °C” and “ °F” appears on the screen by turns. Release both button when the temperature unit you wish to choose appears, this will confirm your choice. 3 seconds later, the temperature unit display disappears and screen resume to display current temperature in the unit you have chosen.

CHANGE TEMPERATURE SETTING

Press “▲” or “▼” button to adjust temperature, the screen blinks and display the previous setting temperature in the range of 158—194°F (70—90°C) . Press “▲” to increase 2°F (1°C) or press “▼” to decrease 2°F (1°C), until you satisfied. System will confirm your setting after 5 second no operation, and the screen resumes displaying current temperature.

CHANGE HEATING TIME SETTING

Press “SET TIME” button to adjust the heating time. Press “▲” or “▼” to adjust minute value in the range of 1 ~ 60. Press “SET TIME” again to confirm. For example, the default heating time is 45 minutes, and displayed as “-45”.

CHANGE WAITING TIME SETTING

Hold “SET TIME” button for more than 5 seconds to adjust the waiting time. The maximum waiting time is 12 hours. Led screen blinks and display the waiting hours. Press “▲” to adjust hour value, press “▼” to adjust the minute value. If you wish to set 8 hours and 45 minutes waiting time, you need to set the hour value as “H8” and minute value as “-45”. Press “SET TIME” again to confirm your setting.

DISPLAY AND LIGHT INDICATOR

In waiting mode, Led screen displays the hour (such as H10) and minute (such as -45) information by turns. If the wait time is less than 1 hour, only minute information is displayed. Once the waiting time is up, system enters heating-up mode automatically. Led screen displays the current temperature, right and left side led lights indicate the remaining working time in the following manner: each light indicates a 6-minute interval and starting from the right side button light. For example: 2 bottom lights on the left and 5 lights on the right will be on for 38 minutes.

OTHER INFORMATION

The default setting temperature is 167°F (75°C), default waiting time is 0 and heating-up time is 45 minutes.



Temperature display range is 43—221°F (6—105°C).

Temperature adjusting range is 158—194°F (70—90°C).

☼ Light switch: Press this button to turn on/off the light.

⊗ Fan switch: Press this button to turn on/off fan for ventilation.

HINT MESSAGE

- 1) **Temperature below 43°F (6°C):** LED screen displays“—L ”.
- 2) **Temperature above 221°F (105°C):** LED screen displays“—H ”, system could not heat up.
- 3) **Communication error :** Communication error between panel and mainboard, LED screen displays“ EE”.
- 4) **Heating-up indicator “  ”:** The red indicator is on when system heats up.
- 5) **Heat preserving “  ” indicator:** Once reaching user-set temperature, system stop heating up, and enter heat preserving mode. The yellow indicator turns on.
- 6) **Temperature sensor error:** If the sensor is not proper connected or not function well, Led screen display “SE”.

CONNECTIONS OF THE SAUNA SYSTEM

Please refer to figure 2, 3, 4 and 5. Connect the neutral wire to the terminal labeled as "N" if you need the light and fan.

NOTICE:

- ▲ **Warning :** The sauna heater should not be used for other heating purpose.
- ▲ **Notice:** The product is not suitable for weak and disabled people, unless they have been carefully supervised and take care of.
- ▲ **Notice:** Children should be taken good care of for they safety.
- ▲ **Notice:** Check the whole sauna room before turn on the control.

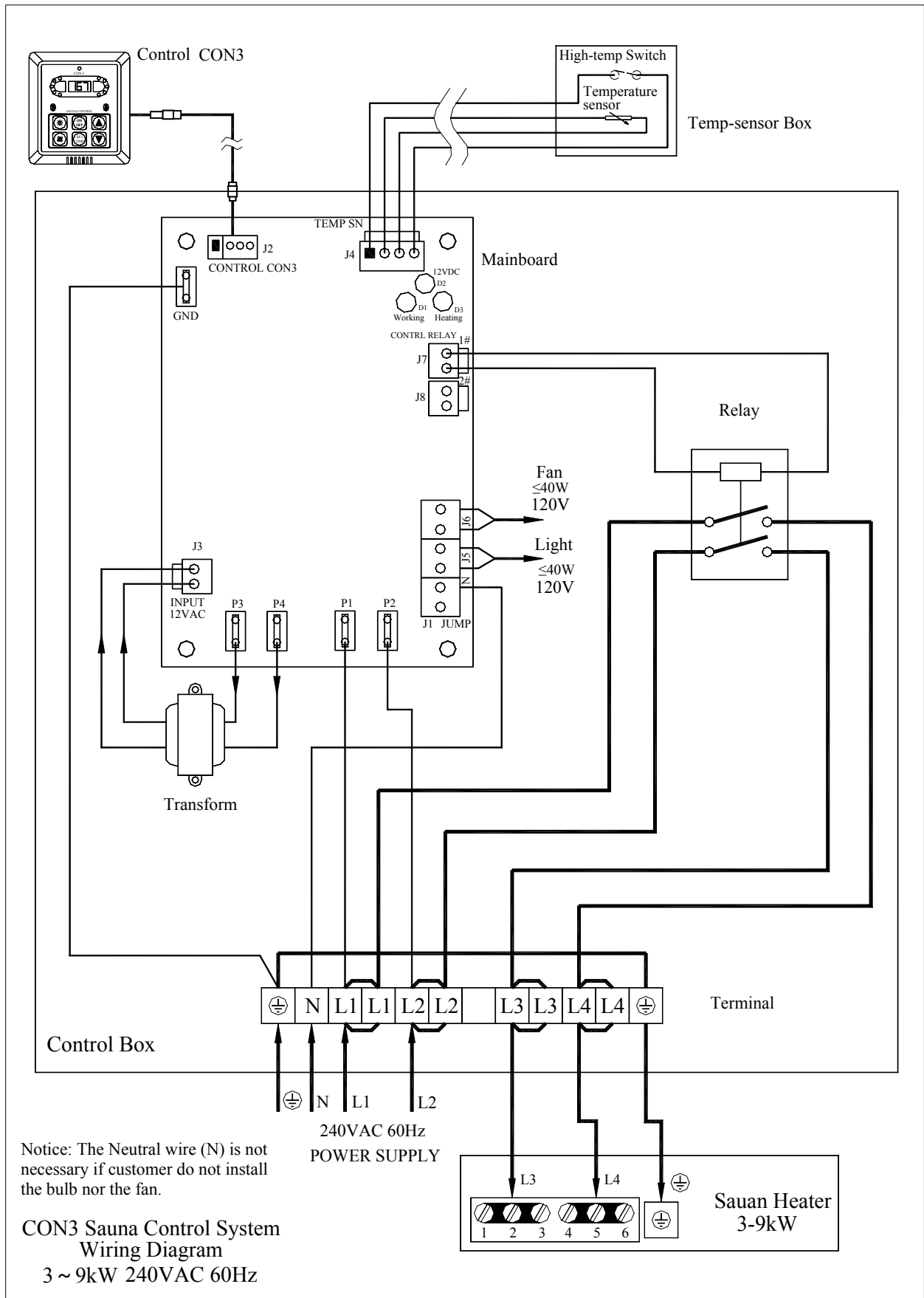


Figure 2

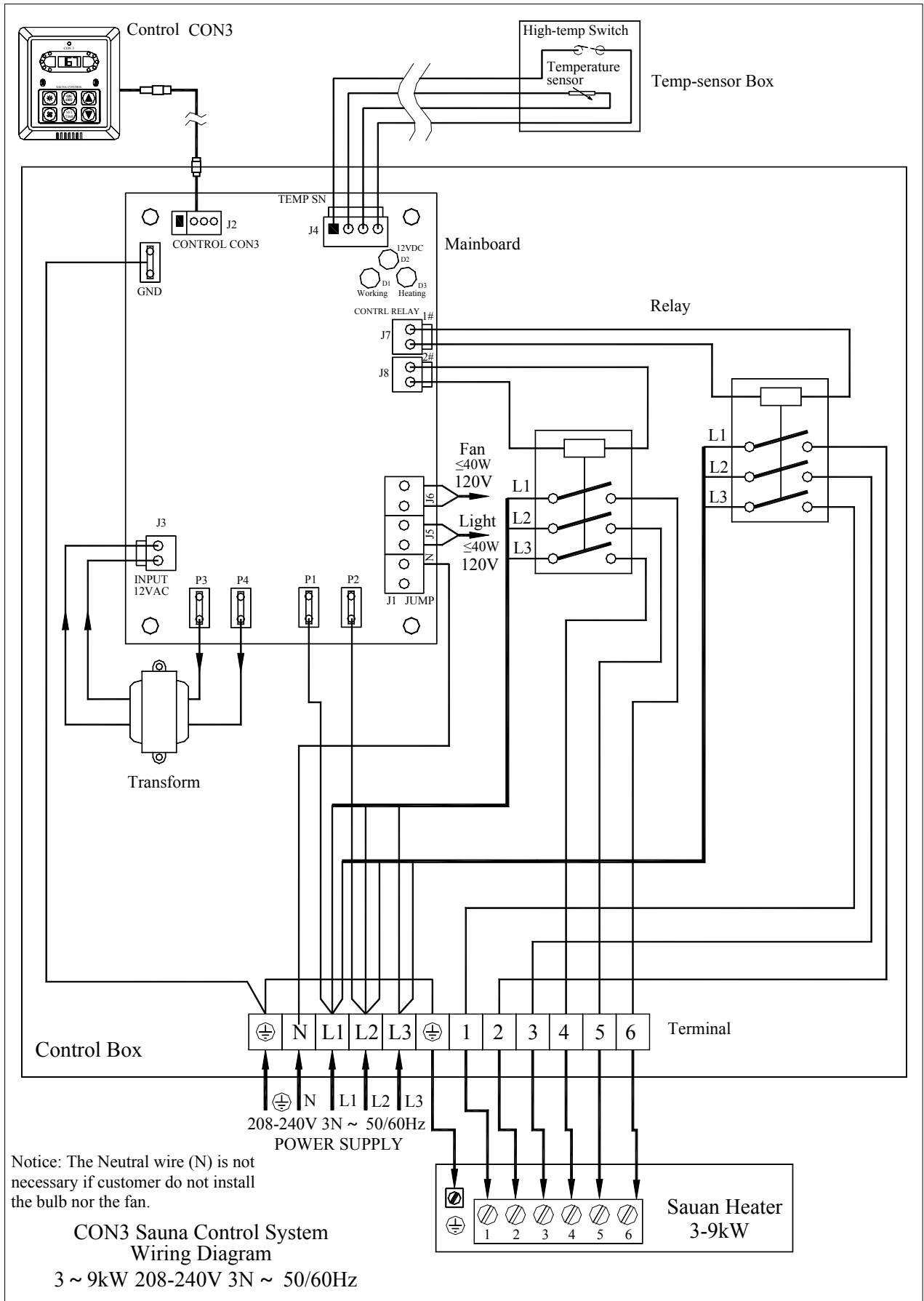


Figure 3

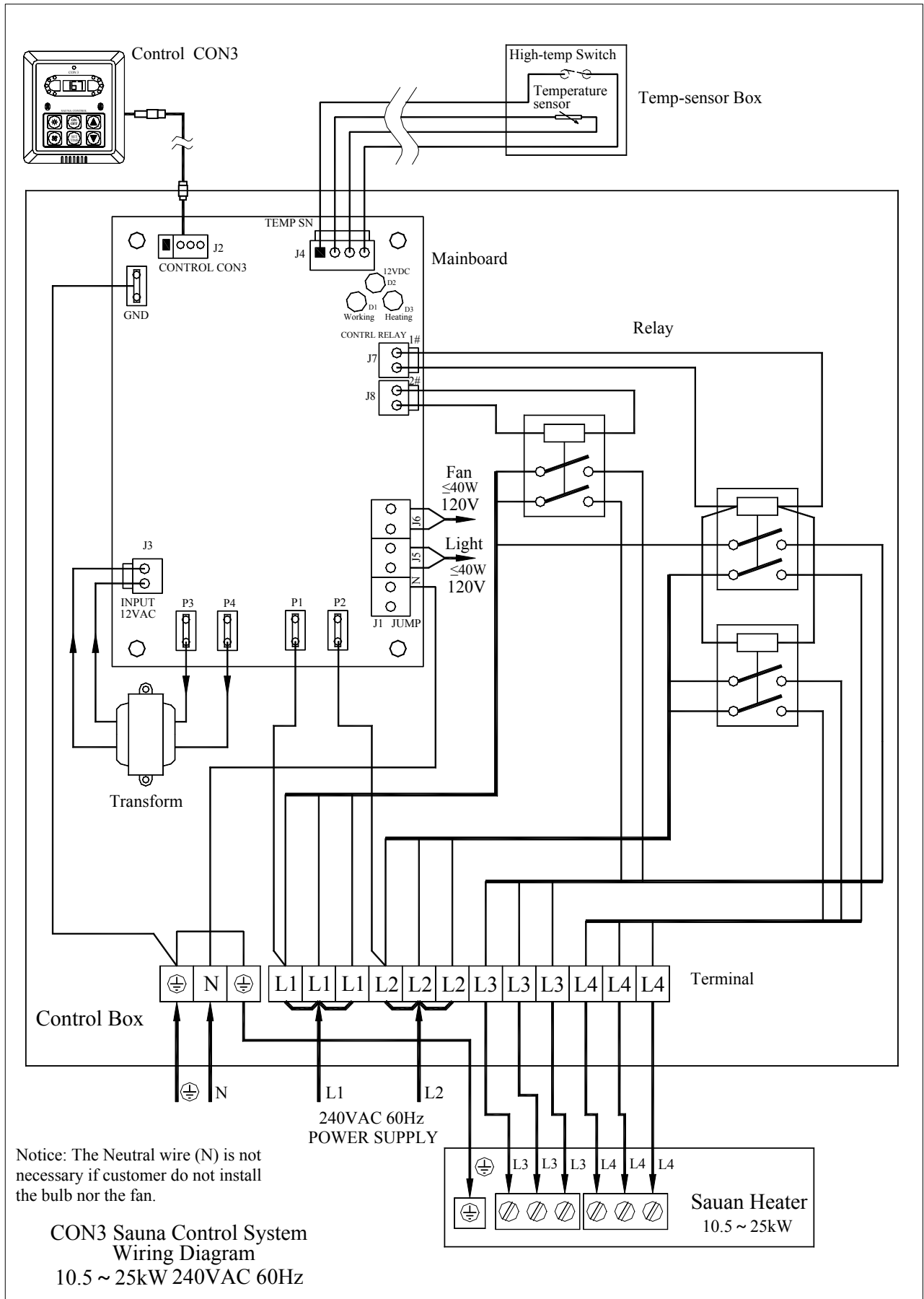


Figure 4

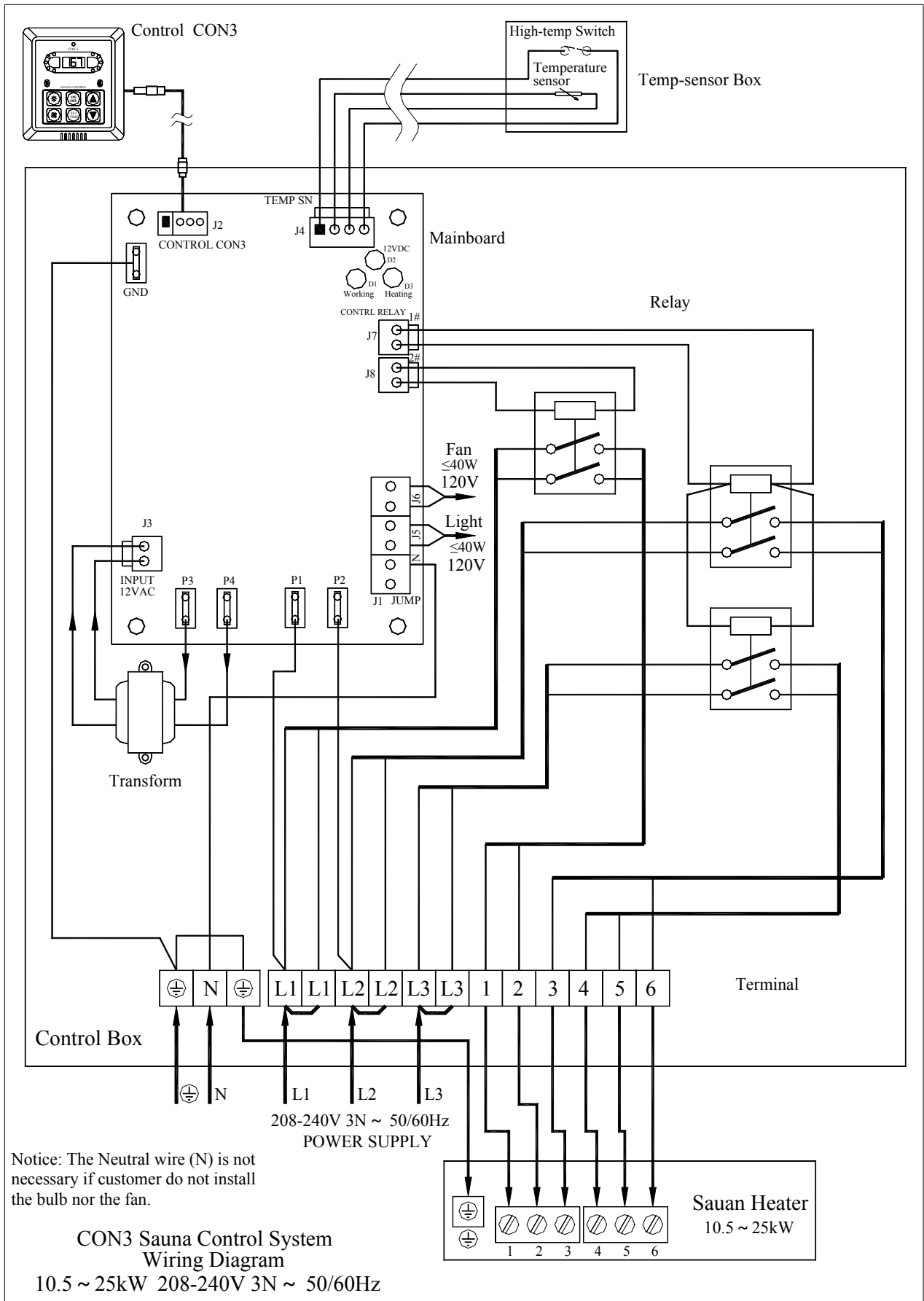


Figure 5